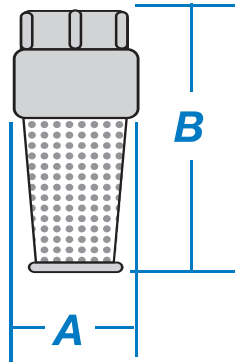


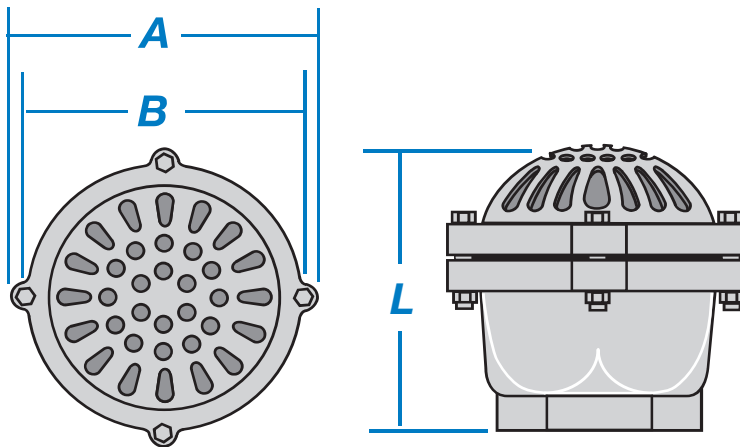
Dimensions

Foot Valves



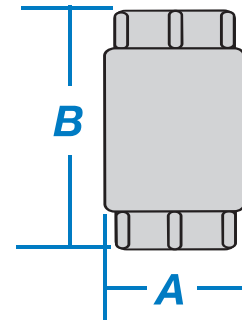
Part No.	A Diameter Inches	B Length Inches
404SB	1 15/16	5
452SB	1 3/8	3 3/4
453SB	1 3/4	4 3/4
454SB	2 1/8	5
455SB	2 5/16	5 1/4
456SB	2 1/2	6 5/16
457SB	3 1/8	7 3/16
458SB	4	9 3/8
459SB	4 5/8	9 1/2
460SB	6	13 7/8
461SB	7 1/2	15 3/4
465SB	1 5/16	3 3/4
466SB	1 5/8	5
467SB	1 15/16	5

Cast Iron Foot Valves



Part No.	Size	A	B	L	Hex Size
471	1 1/4 NPT	3 3/8"	4 5/8"	4 1/8"	2 5/8"
472	1 1/2 NPT	3 3/8"	4 5/8"	4 1/8"	2 5/8"
473	2 NPT	5 1/4"	5 3/4"	5 1/4"	3 5/16"
475	3 NPT	6 1/4"	7 5/8"	7 3/16"	4 9/16"
476	4 NPT	7 11/16"	9 1/16"	8 7/8"	5 9/16"
477	5 NPT	8 1/8"	10 7/16"	10 5/8"	6 3/4"
478	6 NPT	10 1/16"	11 7/16"	12"	7 3/4"
479	8 NPT	13 3/4"	15 1/8"	15 1/2"	10 1/8"

Check Valves



Part No.	Part No.	A Diameter	B Length
501SB		1 3/8	2 5/8
502SB		1 5/8	3 3/8
503SB		1 7/8	3 5/8
504SB		2 1/4	3 3/4
505SB	2505SB	2 5/8	4 1/8
506SB	2506SB	3 1/4	5 1/8
507SB		4	7 3/8
508SB		4 1/16	7 1/4
509SB		5 1/2	10 1/2
510SB		5 5/8	10 5/8
511SB		7 5/8	10 5/8
513SB	2503SB	1 7/8	3 7/8
514SB	2504SB	2 1/4	4 1/8
601SB		2 3/16	3 5/8
602SB		2 1/4	4 1/4
603SB		2 9/16	4 1/16
604SB		3 3/16	5 1/16
610SB		1 15/16	4 3/4
611SB		2 1/4	4 15/16
613SB		1 15/16	4 5/8
616SB		2	3 7/8
617SB		1 7/8	3 3/4
618SB		2 1/4	4 3/8
622SB		3 1/4	5
623SB		4 1/8	7 3/8
624SB		5 9/16	10 1/2
625SB		7 3/4	11
641SB		1 3/4	4 3/4
653SB	2653SB	1 7/8	3 7/8
654SB	2654SB	2 1/4	4 1/8
655SB	2655SB	2 5/8	4 3/8
658SB		3 1/4	5
660SB		4 1/8	7 3/8
661SB		5 9/16	10 1/2
662SB		7 3/4	11
670SB	675SB	4 1/16	8 7/8
671SB	2671SB	5 5/8	11 1/2
676SB	2676SB	5 5/8	11 1/2
672SB	677SB	7 5/8	11 1/2
673SB	678SB	9 5/8	12
674SB	2674SB	6 3/4	11 3/4
679SB	2679SB	6 3/4	11
680SB	2680SB	3 3/16	5 1/16
681SB	2681SB	4 7/8	8
685SB	2685SB	4 7/8	8
683SB	2683SB	9 1/4	12
687SB	2687SB	9 1/4	12
689SB	690SB	12 1/8	14